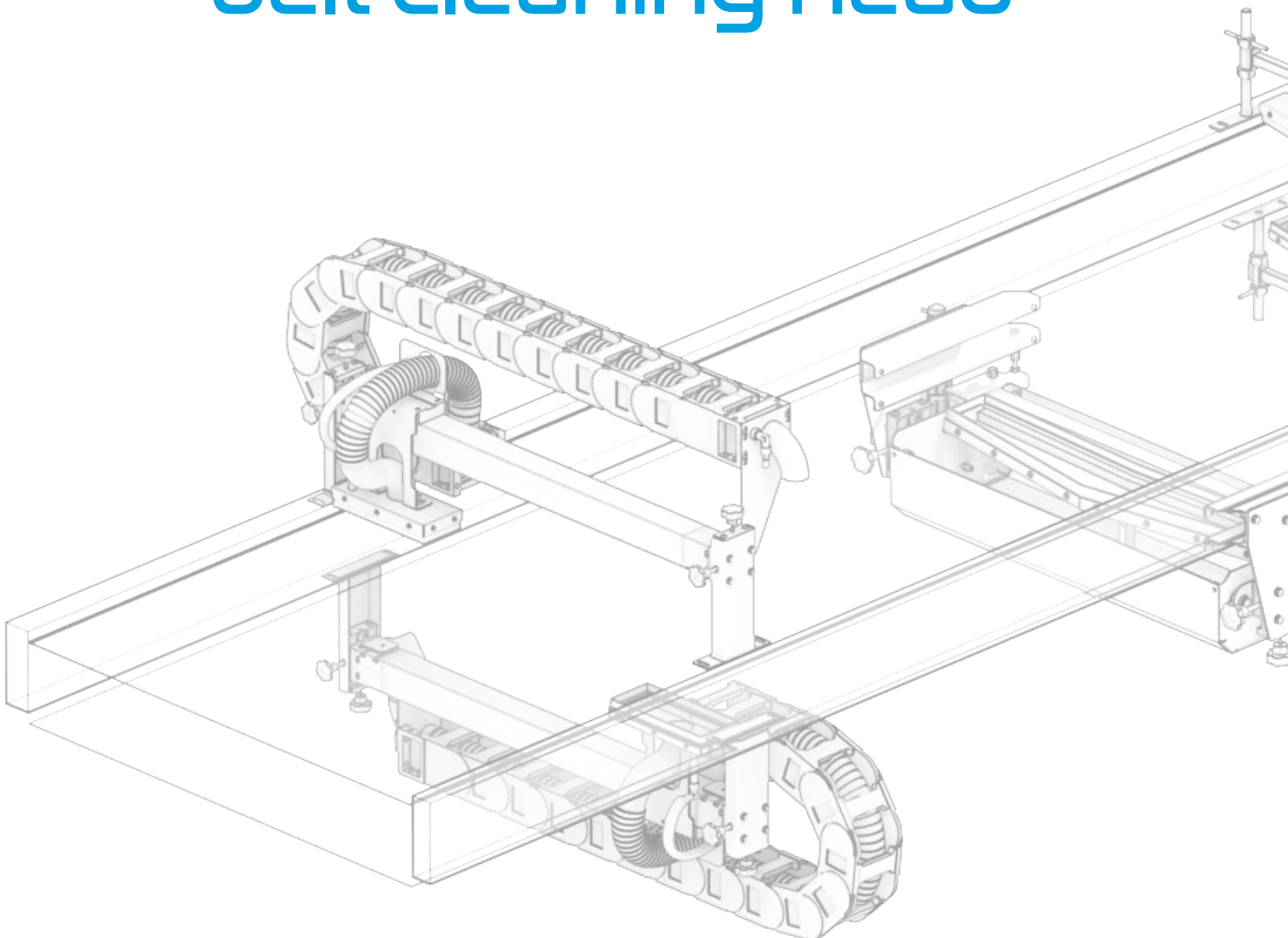
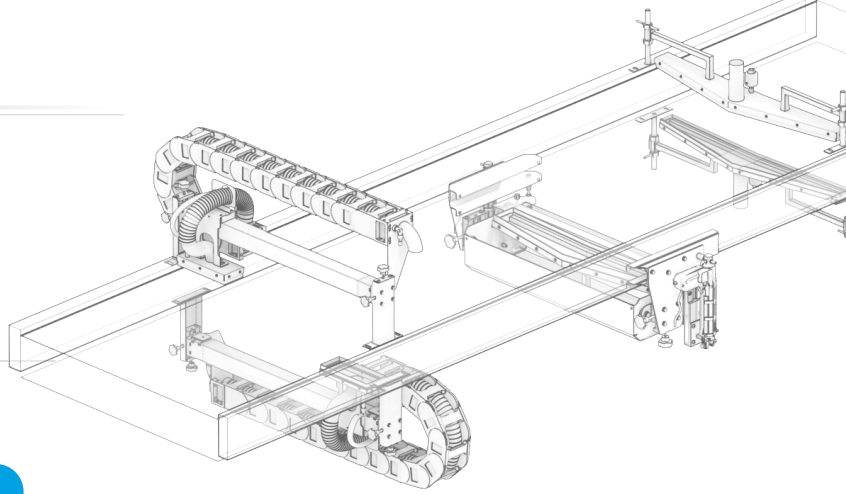


# Design process for a belt cleaning head





## Design process for a belt cleaning head

### Project launch

- The initial phase involves receiving the project mandate from the customer
- Gather information regarding the customer's needs that motivate to request the project

### Definition and planning

Team meeting:

- Definition of a detailed cost plan
- Customer plant analysis
- Organization of the resources involved in the project

### Implementation

- Execution of the previous phase
- Data collection and documentation preparation in response to the customer

### Monitoring

- Verify that the implementation coincides perfectly with the information given in the planning phase
- Communication of eventual project modifications made by the involved parties and update about the work progress

### Project closure

- Delivery of the project documentation
- Final project approval with the customer's conclusive validation

### After installation

- Customer feedback on the system performance