



L'ARTE DEL VAPORE

WORLD LEADING MANUFACTURER
OF HIGH-QUALITY STEAM CLEANERS



STEAM CLEANING SYSTEMS FOR CONVEYOR BELTS

+39 045 67 67 252 | SALES@TECNOVAP.COM | WWW.TECNOVAP.IT



The power of dry saturated steam!

Our belt cleaning head is an eco-friendly and innovative product, designed to clean any kind of conveyor belt in a safe, efficient, and fast way.



FEATURES



Customized for each customer.

AISI
304

Stainless-steel structure.



No risk of surface damage.
Programmed cleaning cycles help
to extend the life of the belt.



Food-grade squeegees.



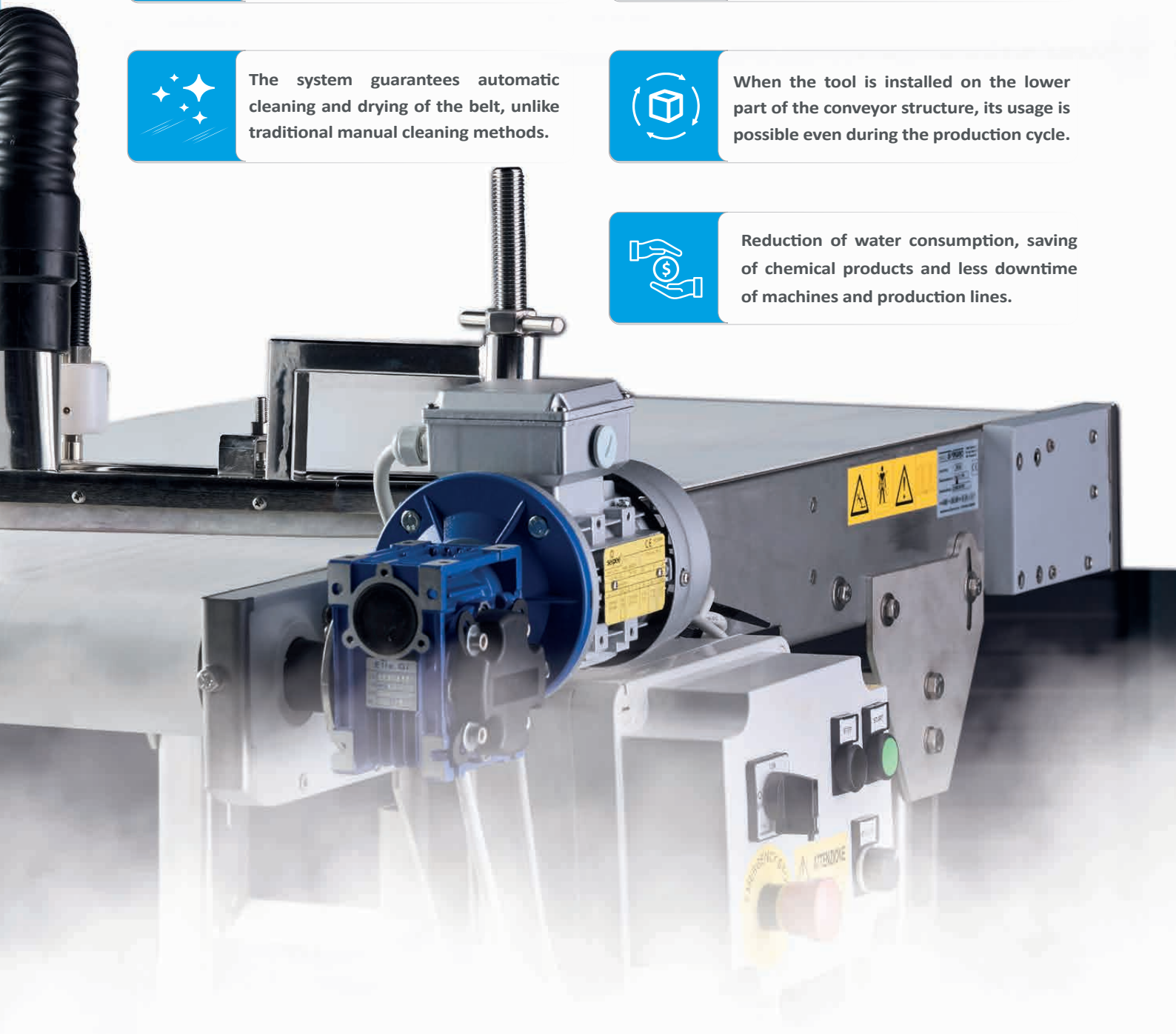
The system guarantees automatic
cleaning and drying of the belt, unlike
traditional manual cleaning methods.



When the tool is installed on the lower
part of the conveyor structure, its usage is
possible even during the production cycle.



Reduction of water consumption, saving
of chemical products and less downtime
of machines and production lines.



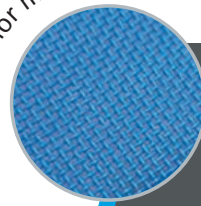
LVC ULTRA

Automatic belt cleaning head with linear movement

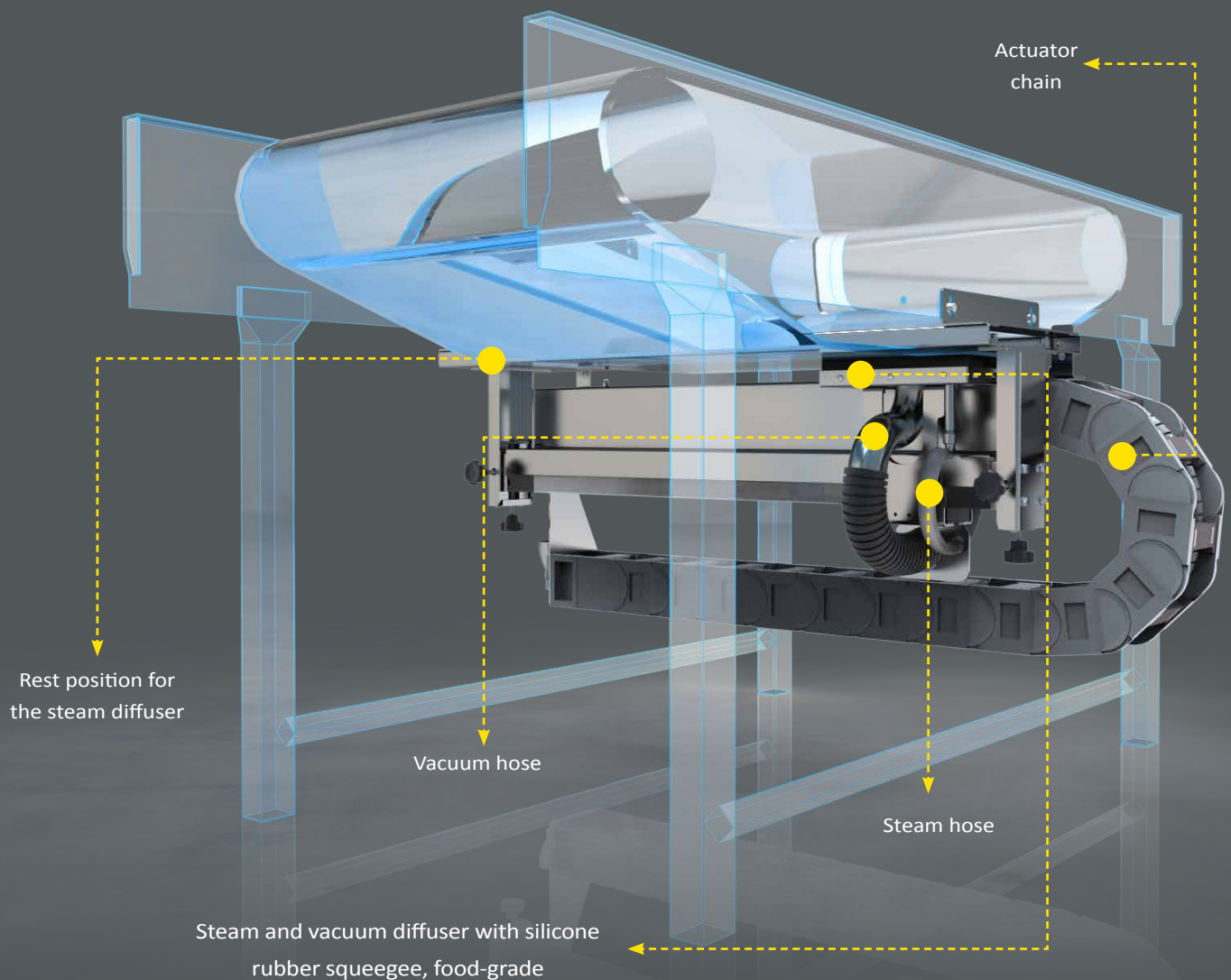
- AISI 304 stainless-steel structure
- Programming of cleaning head working positions and working cycles
- Automatic movement of the steam diffuser
- Customizable dimensions up to 2000mm

**The belt cleaning tool is usable only with Tecnovap steam generators - page 7*

Suitable for mesh belts



Scan & check out
the video



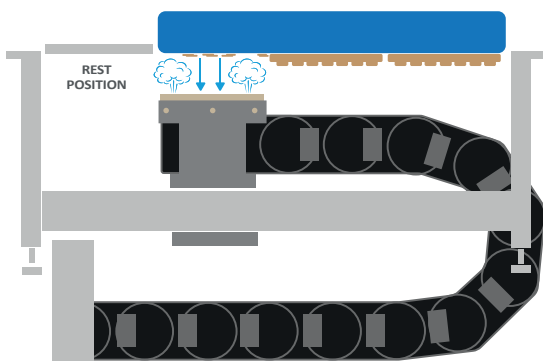
Operating diagram

This type of belt cleaning tool offers the possibility to decide the position of the diffuser and to personalize the duration of the cleaning phase based on the belt.

Below a diagram showing how the belt cleaning head works

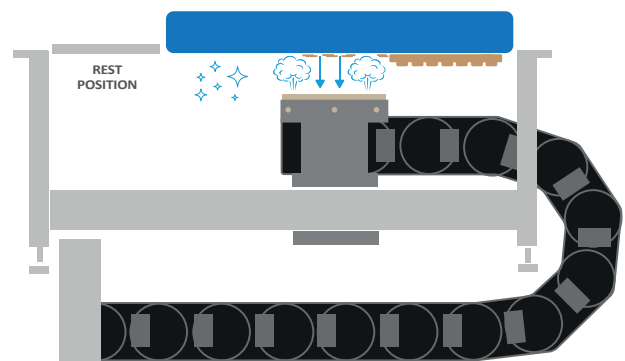
1st position

Beginning of the cleaning cycle.
The diffuser moves onto the 1st section of the belt.



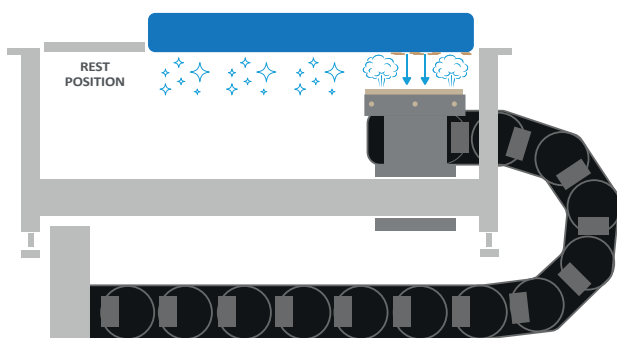
2nd position

Once the cleaning of the 1st section has been completed, the diffuser automatically moves onto the 2nd section.



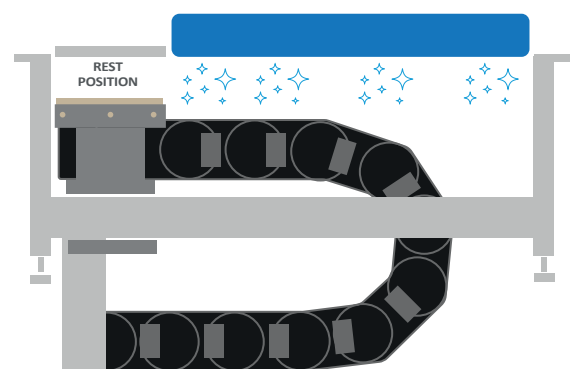
3rd position

Movements continue until the total width of the belt has been reached.



4th position

When the cleaning cycle is complete, the diffuser will automatically go back to the rest position.



Automatic belt cleaning head with linear movement

Cleaning head positioning on the upper belt

With this installation the production cycle needs to be interrupted to allow the belt to be cleaned.



Electrical control box

The belt cleaning head is provided with an electrical control box with a touchscreen display for managing all functions of the steam generator and belt cleaning head.

Functions available:

- Programming of cleaning head working positions
- MINIMUM - MEDIUM - MAXIMUM steam
- Detergent injection
- Overheated water injection for the diffuser cleaning
- Vacuum
- Emergency stop button



Automatic belt cleaning head with linear movement

Cleaning head positioning on the lower belt

With this installation it is possible to clean the belt during the production cycle, therefore optimizing costs and cleaning times.



Recommended steam generators:



Electric steam generators with power ratings from 8.4 kW to 39 kW, equipped with a stainless-steel body, boiler, and a vacuum cleaner with turbine. In addition to belt cleaning, our steam generators can also be used for other applications within the company, such as cleaning of production machinery, tanks, cold rooms, walls, floors, and other surfaces.

HB MAX

Semi-automatic belt cleaning head*

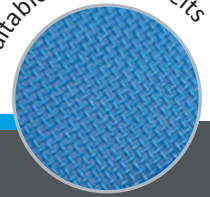
- AISI 304 stainless-steel structure
- Working and rest position adjustment of the cleaning head
- Installation exclusively on the lower part of the belt
- Customizable dimensions up to 1500mm

**The belt cleaning tool is usable only with Tecnovap steam generators - page 9*

Suitable for flat belts



Suitable for mesh belts



Scan & check out
the video



Steam and vacuum diffuser
with silicone rubber squeegee, food-grade.

Electrical control box



Steam and vacuum hose

Actuator for the cleaning head
adjustment

Electrical control box

The belt cleaning tool is provided with an electrical control box for managing all functions of the steam generator and the belt cleaning head.

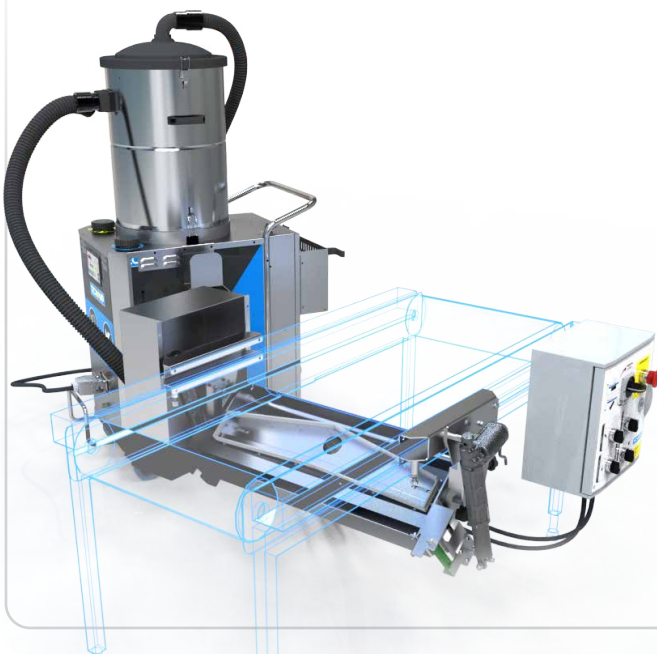
Functions available:

- Working and rest position adjustment of the cleaning head
- MINIMUM - MEDIUM - MAXIMUM steam
- Detergent injection
- Overheated water injection for the diffuser cleaning
- Vacuum
- Emergency stop button

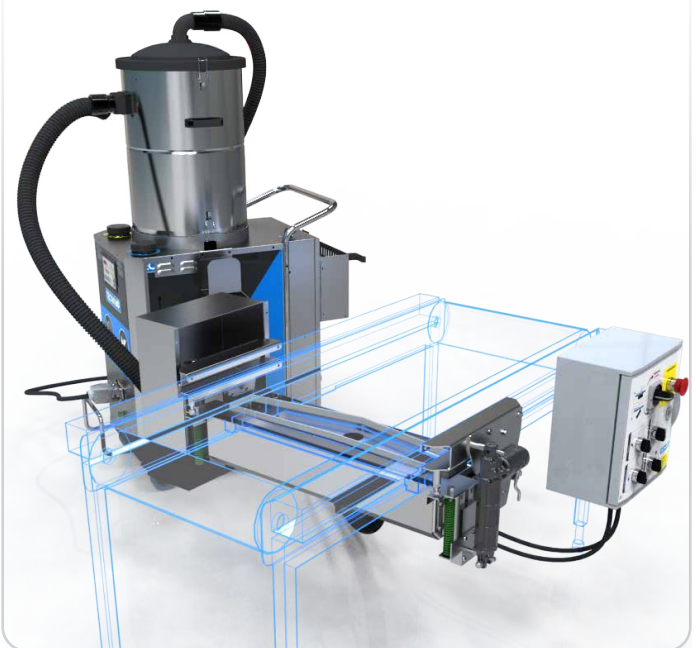


Belt cleaning head positioning

REST POSITION



WORKING POSITION



Recommended steam generators:

STEAM BOX VAC INDUSTRIAL



STEAM BOX VAC PRO



STEAM TURBO



STEAM PLANT



Electric steam generators with power ratings from 8.4 kW to 39 kW, equipped with a stainless-steel body, boiler, and a vacuum cleaner with turbine.

In addition to belt cleaning, our steam generators can also be used for other applications within the company, such as cleaning of production machinery, tanks, cold rooms, walls, floors, and other surfaces.

RTU PRO

Standard belt cleaning head*

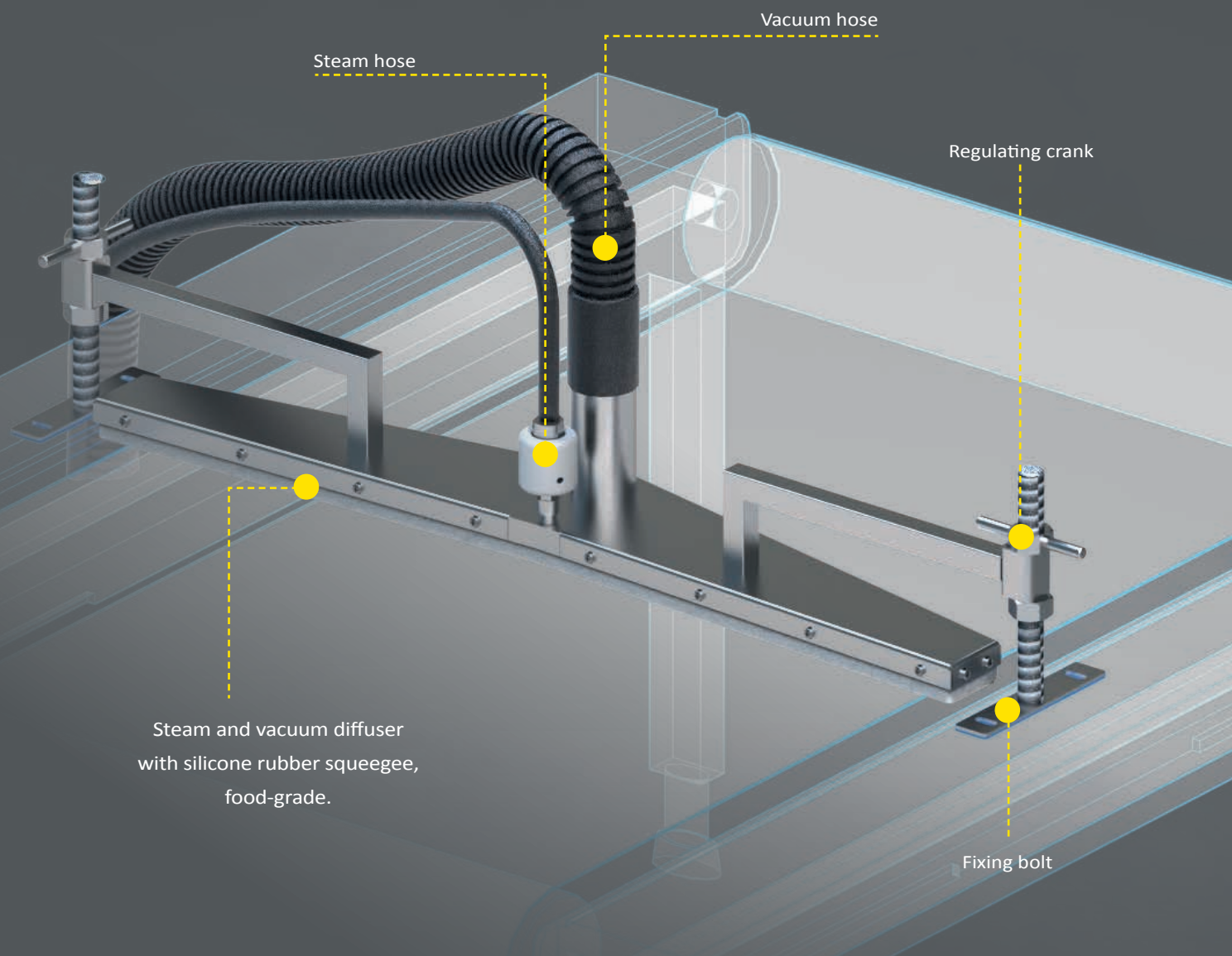
- AISI 304 stainless-steel structure
- The belt cleaning head is fixed to the conveyor belt structure by means of bolts with the possibility to adjust the tool by means of cranks.
- Two possible installations on the lower or upper part of the belt
- Customizable dimensions up to 1500mm

*The belt cleaning tool is usable only with Tecnovap steam generators - page 11

Suitable for flat belts



Scan & check out
the video



Electrical control box

The belt cleaning tool is provided with an electrical control box for managing all functions of the steam generator and the belt cleaning head.

Functions available:

- MINIMUM - MEDIUM - MAXIMUM steam
- Detergent injection
- Overheated water injection for the diffuser cleaning
- Vacuum
- Emergency stop button



Belt cleaning head positioning

UPPER POSITION



LOWER POSITION

With this installation it is possible to clean the belt during the production cycle, therefore optimizing costs and cleaning times.



Recommended steam generators:



Electric steam generators with power ratings from 8.4 kW to 39 kW, equipped with a stainless-steel body, boiler, and a vacuum cleaner with turbine.

In addition to belt cleaning, our steam generators can also be used for other applications within the company, such as cleaning of production machinery, tanks, cold rooms, walls, floors, and other surfaces.

Accessories for cleaning with operator for mesh belts and other surfaces within the company



Geysier 1 hose - Steam & vacuum



Radames 10 bar hose - Steam & vacuum



Geysier lances

- 100mm
- 400mm
- 800mm
- 1200mm



Radames adapter for surface cleaner

Surface cleaners



Ø200mm
with handle



Ø300mm
with swivel





Ø300mm
with swivel & handle



Example of surface cleaner with Radames adapter



Scan & check out the video 



Recommended steam generators:



Electric steam generators with power ratings from 8.4 kW to 39 kW, equipped with a stainless-steel body, boiler, and a vacuum cleaner with turbine.

In addition to belt cleaning, our steam generators can also be used for other applications within the company, such as cleaning of production machinery, tanks, cold rooms, walls, floors, and other surfaces.

Steam is the best ally
on the market, it is
effective and **ecological**.

Choose the **future of**
cleaning, choose **Tecnovap!**



L'ARTE DEL VAPORE

An Italian brand with 39 years of experience

Via dei Sassi 1/a, 37026 Pescantina - Verona, Italy

sales@tecnovap.com - info@tecnovap.com

Tel. +39 045 67 67 252